

LACASSE

harmoniä

Healthcare Furniture
Solutions

Lacasse presents Harmoniä, a complete offering of evolutive furniture solutions designed and manufactured with exceptional care to cover the full needs of healthcare establishments, from hospitals to long-term care facilities and clinics of all types. Waiting areas, patient rooms, nursing stations, whatever the application, our modular approach allows for fast and easy configuration and reconfiguration.

The exam room illustrated here exemplifies the simplicity and efficient ergonomics of Harmoniä with its wall-mounted cabinetry and consultation table.



EXPERIENCE THE CARE



Inclined cabinetry top surfaces facilitate cleaning.














Complete wall-mounted cabinetry system meets stringent clean environment requirements.



Wall-mounted rectangular surface with silver steel leg for easy interaction with patients.



Curved antimicrobial metal handles.

		W x D x H (in)	W x D x H (mm)	Code	All Laminate (\$)	HPL Surfaces (\$)
Return surface				<i>1 silver steel leg, 4" (100 mm) dia. Rounded corners. Must be used with a wall-mounted support or attached to another surface or reception module. Corner radius: 4" (100 mm).</i>		
		48 x 32 x 29	1200 x 800 x 738	H1NNN-RSC3248	515	—
Wall-mounted support for return surface				<i>Laminate panel with cantilever (included). Compatible with return surfaces. Must be anchored to a wall with appropriate fastening hardware (not included) depending on wall type.</i>		
		32 x 1 x 8	795 x 25 x 200	HNNNN-MOD0832	211	—
Rectangular surface				<i>Installs on modular cabinets or wall-mounted support. Can receive a backsplash.</i>		
		72 x 19 x 1	1800 x 475 x 25	H2NNN-TR1972	—	402
Backsplash				<i>Installs on a surface.</i>		
		72 x 5/8 x 4	1800 x 16 x 102	H2NNN-BS0472	—	129
Modular wall-mounted sink cabinet with doors				<i>Open back to accommodate plumbing. Installs under a surface. Must order a laminate hanging system separately.</i>		
		36 x 19 x 24	900 x 475 x 595	HNNAN-W193624KL	891	—
Modular wall-mounted cabinet with drawers				<i>3 drawers. Installs under a surface. Must order a laminate hanging system separately.</i>		
		18 x 19 x 24	450 x 475 x 595	HNNAN-W191824UL	1,066	—
Modular wall-mounted cabinet with door - Opens right				<i>1 adjustable shelf. Installs under a surface. Must order a laminate hanging system separately.</i>		
		18 x 19 x 24	450 x 475 x 595	HNNAN-W191824BRL	639	—
Wall-mounted storage unit with inclined top				<i>3 adjustable shelves and 1 fixed shelf. Laminate hanging system included. Must be anchored to a wall with appropriate fastening hardware (not included) depending on wall type.</i>		
		18 x 19 x 74	450 x 475 x 1890	HNANN-W191874AC	1,349	—
Wall-mounted cabinet with inclined top				<i>1 adjustable shelf. Laminate hanging system included. Must be anchored to a wall with appropriate fastening hardware (not included) depending on wall type.</i>		
		36 x 14 x 30	900 x 350 x 766	HNNNN-W363014AP	1,051	—
Finishing trim for wall-mounted cabinets				<i>L-shaped anodized aluminium profile. Installs at the end of an assembly of wall-mounted cabinets.</i>		
		5/8 x 1 1/2 x 24	17 x 38 x 600	HNNNN-FT24	—	77
Laminate hanging system				<i>Laminate panel. Must be anchored to wall with appropriate fastening hardware (not included) depending on the wall type.</i>		
		71 x 5/8 x 8	1775 x 16 x 200	HNNNN-WMS71	258	—

LACASSE

harmoniä

Healthcare Furniture
Solutions

Lacasse presents Harmoniä, a complete offering of evolutive furniture solutions designed and manufactured with exceptional care to cover the full needs of healthcare establishments, from hospitals to long-term care facilities and clinics of all types. Waiting areas, patient rooms, nursing stations, whatever the application, our modular approach allows for fast and easy configuration and reconfiguration.

The long-term care room shows the versatility of Harmoniä in freestanding furniture designed to express the comfort of home thanks to its stylish thermoformed fronts.



EXPERIENCE THE CARE



Multimedia dresser with thermoformed fronts and cable management to accommodate electronic equipment.











Bedside table with thermoformed fronts and top with spill guard.



Wardrobe unit with thermoformed fronts with minimal joints for better microbial control.



Patient chair available in 2015.

	W x D x H (in)	W x D x H (mm)	Code	Thermoformed (\$)
Wardrobe unit with thermoformed fronts 	36 x 25 x 74	900 x 625 x 786	H1NF3-L253674UCB	2,683
Multimedia dresser with thermoformed fronts 	36 x 25 x 31	900 x 625 x 786	H1NF3-L253631COM	1,318
Left single pedestal desk with thermoformed fronts 	66 x 25 x 29	1650 x 625 x 740	H1NF3-U2566S	1,020
Bedside table with thermoformed fronts and top 	18 x 18 x 31	490 x 490 x 786	H3NF3-L181831U	1,092
Thermoformed shelf 	20 x 8 x 1	500 x 200 x 25	H3NNN-TA0820	129
Bed headboard and footboard 	<i>Compatible with HNNNN-GLB3980.</i>			
	<i>Headboard</i>			
	39 x 15¾ x 1	981 x 400 x 25	H2NNN-BF1639	314
	<i>Footboard</i>			
	39 x 15¾ x 1	981 x 400 x 25	H2NNN-BH1639	314
	Height adjustable bed 	<i>Specifications available upon request.</i>		
Height adjustable rectangular overbed table 	90½ x 43½ x 10-32	2300 x 1105 x 254-813	HNNNN-GLB3980	Ask for a quote
	Height adjustable rectangular overbed table	<i>Low profile mobile base. Thermoformed top with spill guard. Load capacity of 100 lbs (45 kg). Height range is 15". Lowest position is 25¼". Highest position is 40¼".</i>		
	36 x 17 x 25¼-40¼	900 x 425 x 641-1023	H3NNN-MOBTR1736	Ask for a quote

LACASSE

harmoniä

Healthcare Furniture
Solutions

Lacasse presents Harmoniä, a complete offering of evolutive furniture solutions designed and manufactured with exceptional care to cover the full needs of healthcare establishments, from hospitals to long-term care facilities and clinics of all types. Waiting areas, patient rooms, nursing stations, whatever the application, our modular approach allows for fast and easy configuration and reconfiguration.

The nursing station illustrated below is a remarkable example of this modularity concept. This sturdy furniture solution can be moved, expanded on and reconfigured for multiple nursing environments.



EXPERIENCE THE CARE



ADA* reception counter with rounded corners allows easy wheelchair access.



Rectangular surface mounted on proprietary supports for easy creation of work spaces.



Reception modules can receive a cove molding option for strict clean area requirements.



Wall-mounted return surfaces for improved collaborative work and easy maintenance.

* American Disability Act

		W x D x H (in)	W x D x H (mm)	Code	All Laminate (\$)	HPL Surfaces (\$)
Modular cabinet with doors – 35"H		<i>1 adjustable shelf. Installs under surfaces. Must be anchored to a wall or a cabinet for safety and stability. Kick plate: 4½" (119 mm).</i>				
		36 x 19 x 35	900 x 475 x 912	HNNUN-193635BL	1,076	–
Rectangular surface		<i>Installs on modular cabinets or wall-mounted supports. Can receive a backsplash.</i>				
		96 x 19 x 1	2400 x 475 x 25	H2NNN-TR1996	–	469
Backsplash		<i>Installs on a surface.</i>				
		96 x 5/8 x 4	2400 x 16 x 102	H2NNN-BS0496	–	139
Return surface		<i>1 silver steel leg, 4" (100 mm) dia. Rounded corners. Must be used with a wall-mounted support or attached to another surface or reception module. Corner radius: 4" (100 mm).</i>				
		48 x 25 x 36	1200 x 625 x 924	H2NNN-RSC254836	–	597
Wall-mounted support for surface		<i>Laminate panel with cantilevers (included). Compatible with surfaces. Must be anchored to a wall with appropriate fastening hardware (not included) depending on wall type.</i>				
		60 x 1 x 8	1495 x 25 x 200	HNNNN-MOD0860	278	–
Wall-mounted cabinet with inclined top and doors		<i>Laminate hanging system included. Must be anchored to a wall with appropriate fastening hardware (not included) depending on wall type.</i>				
		<i>2 adjustable shelves.</i>				
		66 x 14 x 30	1650 x 350 x 766	HNNNN-W663014AP	1,499	–
		<i>1 adjustable shelf.</i>				
		30 x 14 x 30	750 x 350 x 766	HNNNN-W303014AP	1,020	–
Reception module – 41"H		<i>Must use a modular cabinet, a 28"H base module or a reception module as support. Can receive one or more transaction shelves.</i>				
		<i>Closed on right.</i>				
		78 x 26 x 41	1950 x 650 x 1038	H1GNN-GR267841S	968	–
		<i>Closed on left.</i>				
		78 x 26 x 41	1950 x 650 x 1038	H1GNN-GS267841R	968	–
		<i>Center module.</i>				
		60 x 26 x 41	1500 x 650 x 1038	H1GNN-GR266041R	747	–
ADA reception counter		<i>Surface with rounded corners. Recessed half-height modesty panel. Wiring access on modesty panel allows passage of electrical cables. Must be installed between 2 reception modules. Corner radius: 4" (100 mm).</i>				
		48 x 32 x 15	1200 x 800 x 384	H1NUN-BC3248	422	–
Transaction shelf		<i>Compatible with 41"H reception modules. Hardware for installation included. Corner radius: 4" (100 mm).</i>				
		<i>Rounded corners on both side.</i>				
		90 x 13 x 1	2250 x 325 x 25	H2NNN-TSC1390C	–	422
		<i>Rounded corner on left.</i>				
		48 x 13 x 1	1200 x 325 x 25	H2NNN-TSC1348	–	324
		<i>Rounded corner on right.</i>				
		48 x 13 x 1	1200 x 325 x 25	H2NNN-TS1348C	–	324
Modular cabinet with open space and drawer		<i>Open space and 1 file drawer with suspension bar. Installs under a surface. Must be anchored to a wall or a cabinet for safety and stability.</i>				
		18 x 25 x 28	450 x 625 x 714	HNNUN-251828SFL	917	–
Base module		<i>Installs under a reception module. 1 fixed shelf. 1 tone only.</i>				
		<i>Left</i>				
		7 x 14 x 28	178 x 350 x 714	HNNNN-LB140728	469	–
		<i>Right</i>				
		7 x 14 x 28	178 x 350 x 714	HNNNN-140728LB	469	–
Corner guard		<i>L-shaped anodized aluminium profile. Installs on vertical edges.</i>				
		5/8 x 1½ x 41	17 x 38 x 1038	HNNNN-FT41	–	82

LACASSE

harmoniä

Healthcare Furniture
Solutions

Lacasse presents Harmoniä, a complete offering of evolutive furniture solutions designed and manufactured with exceptional care to cover the full needs of healthcare establishments, from hospitals to long-term care facilities and clinics of all types. Waiting areas, patient rooms, nursing stations, whatever the application, our modular approach allows for fast and easy configuration and reconfiguration.

The patient room demonstrates efficient accessibility and practicality of Harmoniä, with features like whiteboard fronts on cabinets for easy communication between caregiver and patient.



EXPERIENCE THE CARE



Asymmetrical counter surfaces available in a vast array of materials and finishes.







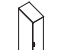




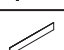
Bedside table with spill guard thermoformed top.



Patient chair available in 2015.



Wall-mounted rectangular surfaces available for decentralized nursing stations.

	W x D x H (in)	W x D x H (mm)	Code	All Laminate (\$)	HPL Surfaces (\$)
Right asymmetrical surface		<i>Installs on modular cabinets or wall-mounted supports. Can receive a backsplash.</i>			
	72 x 25 x 1	1800 x 625 x 25	H2NNN-TD2572	–	567
Backsplash		<i>Installs on a surface.</i>			
	72 x 5/8 x 4	1800 x 16 x 102	H2NNN-BS0472	–	129
Wall-mounted support for surface		<i>Laminate panel with cantilevers (included). Compatible with surfaces. Must be anchored to a wall with appropriate fastening hardware (not included) depending on wall type.</i>			
	36 x 1 x 8	895 x 25 x 200	HNNNN-MOD0836	211	–
Modular wall-mounted ADA sink cabinet		<i>Installs under a surface. Front access panel and open back to accommodate plumbing. Must order a laminate hanging system separately.</i>			
	36 x 24 x 25	900 x 625 x 595	HNNNN-W2536AD	953	–
Wall-mounted wardrobe unit with inclined top, whiteboard fronts		<i>2 drawers. 1 door, opens on right. Clothes hanger bar and 2 fixed shelves. Hanging system included. Installation requires appropriate fastening hardware (not included) depending on wall type.</i>			
	18 x 19 x 74	450 x 475 x 1890	H1NUW-W191874AUCR	1,705	–
Mobile bedside table with thermoformed top		<i>1 drawer with open space. Thermoformed top with spill guard. Brakes on front casters. Can receive one plastic liner (HNNNN-BAC1818). Can receive one shelf (H3NNN-TAO820).</i>			
	18 x 18 x 29	490 x 490 x 722	H3NUN-M181829US	–	747
Finishing trim for wall-mounted cabinets		<i>L-shaped anodized aluminium profile. Installs at the end of an assembly of wall-mounted cabinets.</i>			
	5/8 x 1 1/2 x 24	17 x 38 x 600	HNNNN-FT24	–	77
Height adjustable rectangular overbed table		<i>Low profile mobile base. Thermoformed top with spill guard. Load capacity of 100 lbs (45 kg). Height range is 15". Lowest position is 25 1/4". Highest position is 40 1/4".</i>			
	36 x 17 x 25 1/4-40 1/4	900 x 425 x 641-1023	H3NNN-MOBTR1736		Ask for a quote
Height adjustable bed		<i>Specifications available upon request.</i>			
	90 1/2 x 43 1/2 x 10-32	2300 x 1105 x 254-813	HNNNN-GLB3980		Ask for a quote
Laminate hanging system		<i>Laminate panel. Must be anchored to a wall with appropriate fastening hardware (not included) depending on the wall type.</i>			
	35 x 5/8 x 8	875 x 16 x 200	HNNNN-WMS35	–	237

LACASSE

harmoniä

Healthcare Furniture
Solutions

Lacasse presents Harmoniä, a complete offering of evolutive furniture solutions designed and manufactured with exceptional care to cover the full needs of healthcare establishments, from hospitals to long-term care facilities and clinics of all types. Waiting areas, patient rooms, nursing stations, whatever the application, our modular approach allows for fast and easy configuration and reconfiguration.

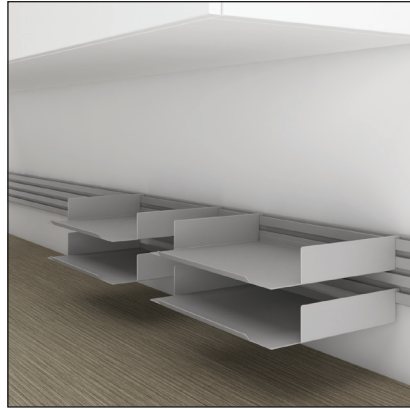
This elegant waiting area clearly illustrates the aesthetics and impressive product depth of our healthcare furniture portfolio, with its contemporary reception desk, tables and seating solutions.



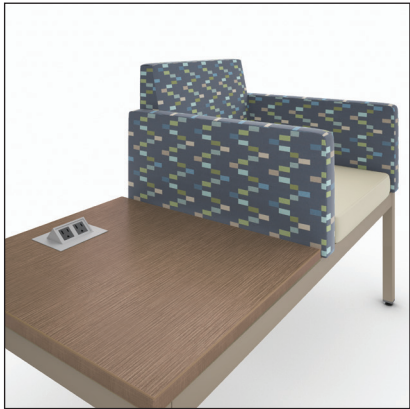
EXPERIENCE THE CARE



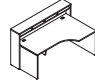
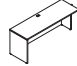

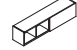



Arold Terra floating seat design allows for easy cleaning.



Harmoniä offers full compatibility with all Lacasse accessories.



Seating and table combo with cable management and electrical modules.

	W x D x H (in)	W x D x H (mm)	Code	All Laminate (\$)	HPL Surfaces (\$)
Left extended corner reception desk – 43"H		<i>Transaction countertop with pigeonholes. Full-height modesty panel. Can accommodate 1 or 2 pedestals. 2 grommets on the work surface and 2 wiring accesses allowing the passage of electrical cables for a lighting unit on the front of the modesty panel. Lighting sold separately.</i>			
	97 x 48 x 43 ⁵ / ₁₆	2425 x 1200 x 1100	M5NNS-GC974843	2,652	–
Rectangular table		<i>Full-height modesty panel. 1 grommet.</i>			
	72 x 24 x 29 ¹ / ₂	1800 x 600 x 744	M5NNS-DT2472B	793	–
Lateral file credenza		<i>4 file drawers with suspension bars. Locks. Optional counterweight to meet BIFMA standards, please refer to the Lacasse price book.</i>			
	72 x 24 x 29 ¹ / ₂	1800 x 600 x 744	M5NAS-LF2472LF	2,014	–
Wall-mounted hutch with sliding door – 16"H		<i>The sliding door covers one half of the hutch. Hanger bar included for wall-mount installation. 1 tone only.</i>			
	72 x 16 x 16	1800 x 400 x 406	QNNS-EM721616C	989	–
Modular pedestal		<i>2 box drawers, 1 file drawer with suspension bar. Pencil tray. Lock. Must be installed under a work surface. 1 tone only.</i>			
	15 x 18 x 28	388 x 466 x 719	MNNAS-P1518UFL	752	–
Square top		<i>1½" thick.</i>			
	36 x 36 x 1½	900 x 900 x 38	T5NS-SQ36	361	–
Metal disc base		<i>The top plate allows the mounting of a LGC-PC.</i>			
	22 x 4 x 28	559 x 101 x 713	TNNS-DC22	–	520